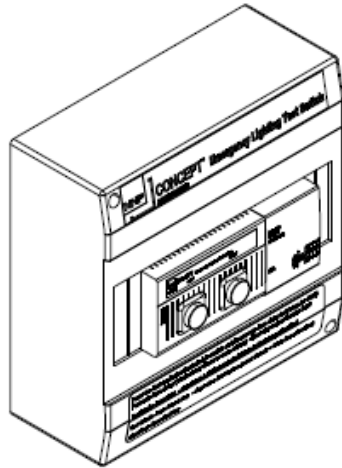
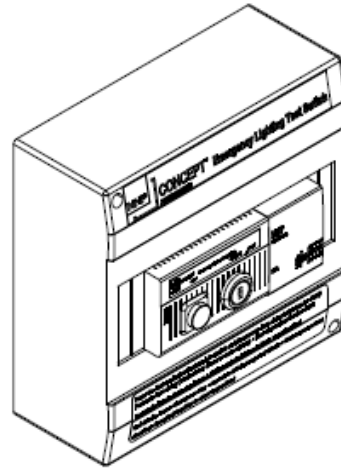


CLEVERTRONICS EMERGENCY LIGHTING TEST SWITCH INSTRUCTION SHEET



Cat No: ELTSA
Push button operator



Cat No: ELTKA
Key selector switch

*Test Key located inside case

Product Specifications				
Cat No	ELTSA	ELTKA	CELAELK1W	CELAELK2W
Description	Emergency Lighting Test Switch Kit - Enclosed		Emergency Lighting Test Switch DIN RAIL - Open	
Activation	Push button operated	Key switch operated	Push button operated	Key switch operated
Operating Voltage	240V a.c. +/- 6% 50Hz			
Cable Connection	4mm ² Ø input terminal block			
Installation	Surface mount (Enclosed)		DIN rail mount (Open)	
Size	160mm x 160mm x 78mm		72mm x 83mm x 66mm	
Contactors	4NC / 25A			
Power up timed delay	Programmable 0 or 10min			
Operating temperature	10° to 40°C			
IP rating	IP20			

Normal Operation

Red button LED = Continuous ON or 3 sec FLASH (if **Power Up Time Delay** active)
 Contactor = OFF

Six Monthly Test -90 min

Push button version -Push the Green button (Start) to begin discharge test

Key selector switch version –Turnkey-switch momentarily to start test position to begin discharge test.

The Red button LED will flash every 1 second.

During this test the contactor will operate for a period of 90 minutes + 45 minutes. The extra 45 minutes is designed to allow walk through to check the fittings. The total duration of this test is 135 minutes (90min+45min)

Push the Red button (STOP) to terminate the test (key to be in Stand-by position for key operated version).

Commissioning Test -120min

Push button version -To begin discharge test.

Hold Red button (STOP) Hold Green button(START) Release Red button Release Green button

Key selector switch version -To begin discharge test.

Hold Red button (STOP) turn Key-Switch to START position Release Red button turn Key-Switch to STAND-BY

The Red button LED will flash every 0.5 second.

During this test the contactor will operate for a period of 120 minutes + 45 minutes. The extra 45 minutes is designed to allow walk through to check the fittings. The total duration of this test is 165 minutes (120min+45min)

Push the Red button (STOP) to terminate the test (key to be in Stand-by position for key operated version).

Power up Time Delay

Power-up time delay provides additional 10 minutes of emergency lighting once the Mains power is restored. This is typically used to allow discharge lamps to warm up and regain sufficient light before the emergency lights are turned off avoiding a black out period.

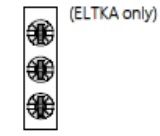
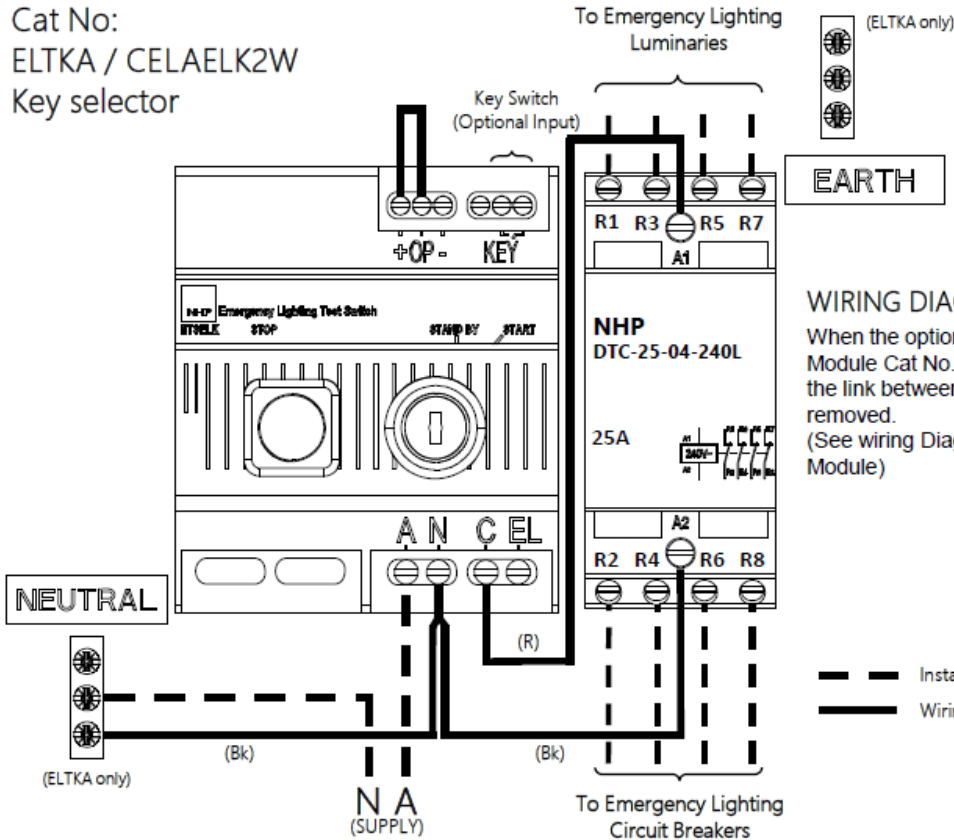
Power-up time delay = 0 min Red button LED solid On (Default)

Power-up time delay = 10 min Red button LED flashes every 3 seconds

To change Power-up time delay, push the Red button (STOP) button for 10 seconds (key to be in Stand-by position for key operated version).

Press RED button to terminate time delay.

Cat No:
ELTKA / CELAELK2W
Key selector



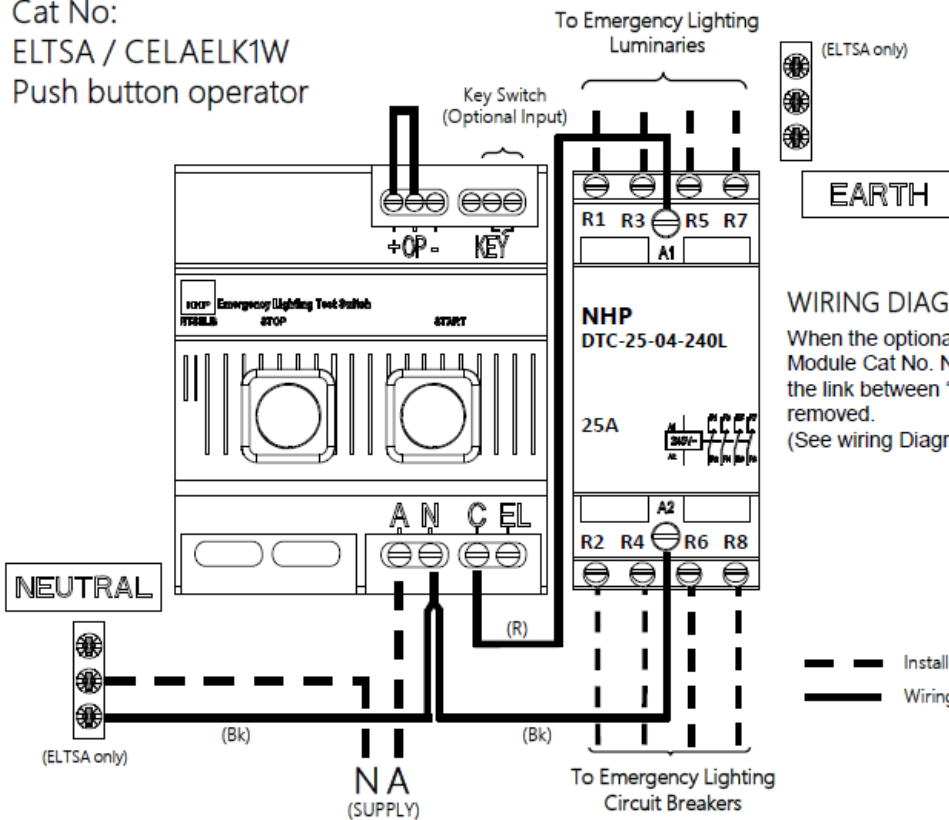
EARTH

WIRING DIAGRAM

When the optional 8 Channel Sensing Module Cat No. NTSELS is required, the link between '+' and 'OP' must be removed. (See wiring Diagram of Sensing Module)

--- Installer wiring
— Wiring Loom supplied

Cat No:
ELTSA / CELAELK1W
Push button operator



EARTH

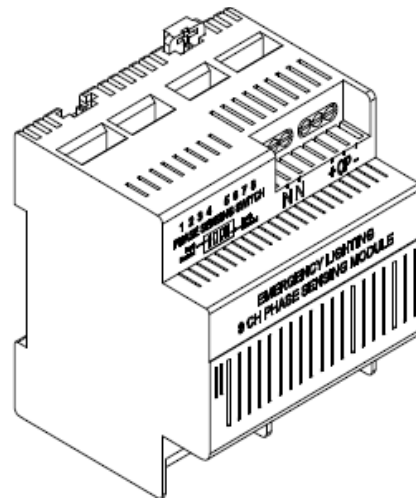
WIRING DIAGRAM

When the optional 8 Channel Sensing Module Cat No. NTSELS is required, the link between '+' and 'OP' must be removed. (See wiring Diagram of Sensing Module)

--- Installer wiring
— Wiring Loom supplied

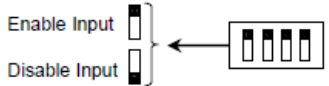
Cat No: NTSELS
Emergency Lighting
8 Ch Sensing Module

The optional 8 Channel Phase Sensing Module is to be used when requiring sensing other phases or lighting circuits. If one of the inputs detects loss of power, it will actuate the contactor on the test switch activating the emergency lighting.



Cat No: NTSELS
Emergency Lighting
8 Ch Sensing Module

The 8 Channel Phase Sensing Module Cat No NTSELS is factory fitted with selector switch in the Enable position. To disable an Input, the switch must be in the Disable position.

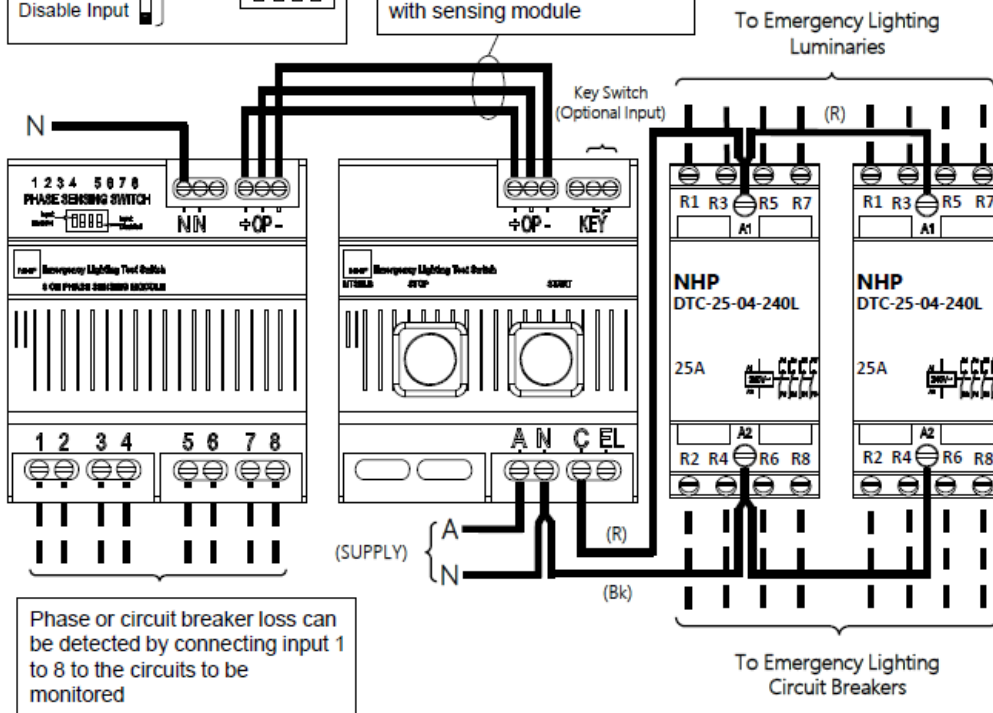


Ensure the jumper between "+" and "OP" is removed when using test switch in conjunction with sensing module

WIRING DIAGRAM

The optional 8 Channel Phase Sensing Module is to be used when requiring additional channels to sense absence of other phases or lighting circuits.

For unused channels, the corresponding selector switch must be set to the disable position.



Phase or circuit breaker loss can be detected by connecting input 1 to 8 to the circuits to be monitored