

Catalogue No: **100-C16D01**

CONTACTOR 7.5kW 3P 110V AC COIL 1NC AUXILIARY

Motor Control and Drives > Motor Starting and Protection > Contactors > Allen-Bradley Contactors > Bulletin 100-C Contactors > 3-Pole Contactors with AC Coil



Contactor 3 pole 16A 7.5kW 1N/C Auxiliary 110V AC Coil

- Available in AC or DC control coil versions to suit application requirements
- Common accessories for all size contactors, minimising inventory and maximising flexibility
- Reversible (line or load side) coil terminations for total flexibility
- DIN rail mountable for easy installation

Representative Photo Only
(actual product may vary based on configuration selections)

SPECIFICATIONS

Product Series	100-C
Component Type Motor Control and Drives	Standard Contactor
Ie, Rated Operational Current, AC-1, 415V, 40°C	32 A@415V,40°C
kW Rating, AC-3, 415V, 60°C	7.5 kW @415V, 60°C
Ie, Rated Operational Current, AC-3, 415V, 60°C	16 A@415V,60°C
kW Rating, AC-3, 690V, 60°C	7.5 kW @690V, 60°C
Ie, Rated Operational Current, AC-3, 690V, 60°C	9 A@690V,60°C
Number of Poles	3
Contact Configuration, Main Poles	3 NO main poles
Coil Type	Conventional type
Coil Voltage	110 V AC V
IP Rating	IP20

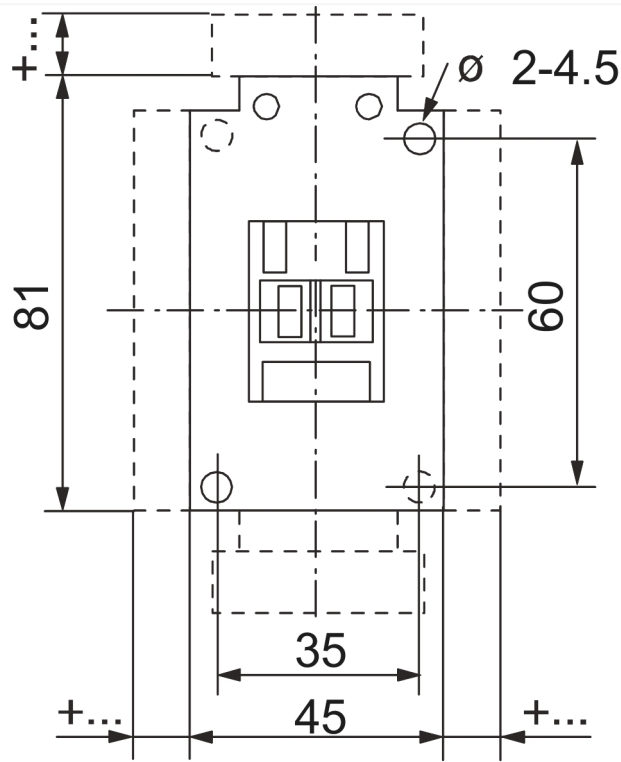
REFERENCES

IECEx Certificate	-
Supplier Declaration of Conformity:	-
Installation Guide:	-
User Manual:	-
Manufacturer Datasheet:	-
Manufacturer Catalogue & Product Selection:	-

Catalogue No: **100-C16D01**

CONTACTOR 7.5kW 3P 110V AC COIL 1NC AUXILIARY

Motor Control and Drives > Motor Starting and Protection > Contactors > Allen-Bradley Contactors > Bulletin 100-C Contactors > 3-Pole Contactors with AC Coil



Dimension Diagram